

# Engineering Change Notice

Part No. <u>7638</u>	ECN No. <u>20-043</u>
Part Name <u>NYLON CABLE CLAMP</u>	Date <u>5.12.20</u>
Rev. <u>—</u>	ECR No. <u>—</u>

Description of Change:  Drawing Attached  
UPDATE DRAWING ACCORDINGLY WITH INSPECTED PARTS.

Solution:  Tooling Change Required  
REVISE C+M

Disposition of Parts:  
U.A.I.

Signed LN Date 5.12.20

Required Distribution:

Engineering     Quality Control     Purchasing     Manufacturing/Supplier

Chief Engineer: \_\_\_\_\_ Remarks: \_\_\_\_\_

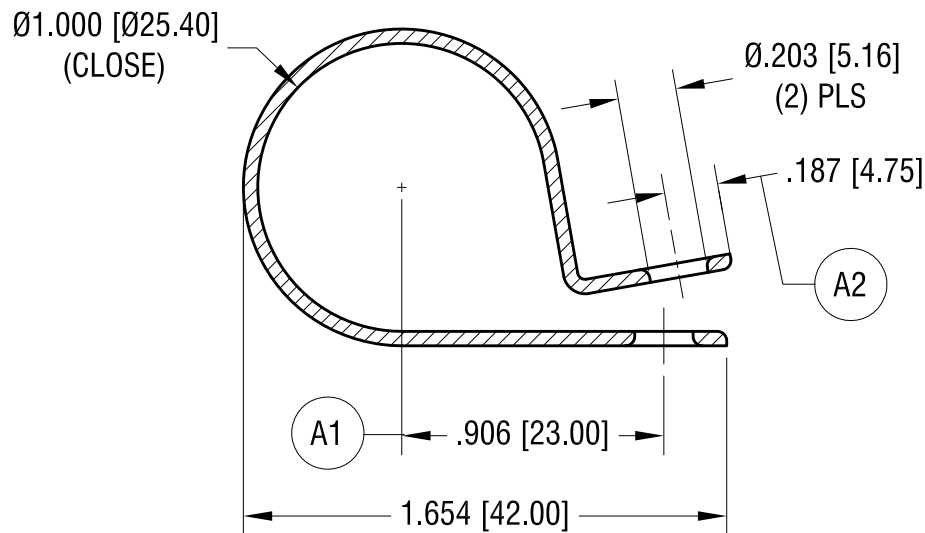
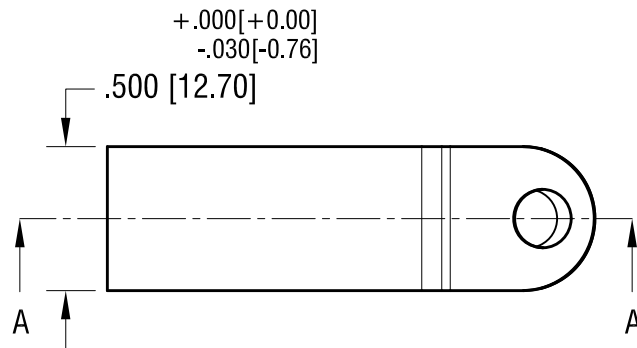
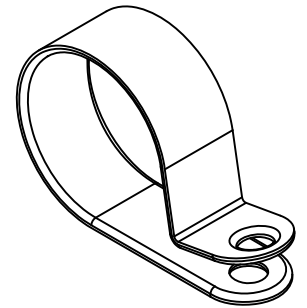
Signed RH Date 5.12.20

Document Control: \_\_\_\_\_ Rev. A

Change Incorporated    Signed NATASHA T. Date 5.12.20

THIS DOCUMENT IS THE PROPERTY OF  
KEYSTONE ELECTRONICS CORP. AND  
SHALL NOT BE REPRODUCED, DISTRIBUTED  
OR USED AS A BASIS FOR MANUFACTURE  
WITHOUT PRIOR WRITTEN PERMISSION  
FROM KEYSTONE ELECTRONICS CORP.

ACTUAL SIZE



SECTION A-A

5.12.20 (A1) WAS .910 [23.11], (A2) WAS 218 [5.54]  
CHANHE AS PER ECN 20-043

DATE	DESCRIPTION	REV.
		A

<b>KEYSTONE ELECTRONICS CORP.</b>			
www.keyelco.com • NEW HYDE PARK, NY 11040 • Tel (516) 328-7500			
PART NAME		NYLON CABLE LAMP	
MATERIAL			
.050 [1.27] TH'K NYLON 6/6, UL94V-2			
FINISH		DRN BY	DATE
NONE		BOONE	11.02.06
		APP'D	SCALE
		RH	1.5X
TOLERANCES	INCH [MM]	CODE	DWG NO.
DECIMAL	± .015 [± 0.38]	C	<b>7638</b>
ANGULAR	± 1°		
UNLESS OTHERWISE SPECIFIED			